



PRODUCT CATALOGUE

ROOF TILES & ACCESSORIES

ELEGANCE AND DURABILITY

Stone-coated metal roofing is popular for its durability and aesthetic appeal. It combines the strength of metal with the classic look of traditional materials. These precision-engineered panels have multiple layers of protection, offering maximum longevity and making them a top choice for modern homeowners and architects.



**CROWNING YOUR DREAM HOME WITH
PREMIUM STONE-COATED
METAL ROOF TILES**

2024 - 2025
WWW.HECHOTECHO.COM

TABLE OF CONTENTS



TRUSTED SOLUTIONS

As a homeowner, maintaining your roof is crucial. Hecho Techo ensures all your Baja California residential roofing needs are covered.

PAGE
3



STYLES & COLORS

Hecho Techo offers stylish, lightweight, and durable roofing for homes, hotels, and public/commercial buildings, with endless design options.

PAGE
4 - 6



INSTALLATION & ACCESSORIES

Hecho Techo provides premium flashings and accessories, ensuring a perfect finish and enhanced durability for your stunning new

PAGE
7 - 10



TECHNICAL INFORMATION

Hecho Techo roofs feature easy-to-install systems, making professional installation quick and hassle-free for a flawless finish.

PAGE
11 - 12



GET IN TOUCH

Get in touch for a free estimate from our qualified engineers. Benefit from a 50-year warranty and exceptional support from Hecho Techo.

PAGE
13

TRUSTED SOLUTIONS

Protect Your Home

Welcome to Hecho Techo! We specialize in premium stone-coated metal roof tiles that blend durability with style. Made with superior materials, our roof tiles ensure **long-lasting protection** for your property. From traditional styles to the latest popular colors, we offer roofing solutions that **enhance curb appeal** and performance.

Quality You Can Trust

At Hecho Techo, **quality** is our cornerstone. Our ISO-certified roofing tiles come with a 50-year warranty, offering **resistance to weather** elements, UV rays, and fire. **Easy to install** and virtually maintenance-free, our tiles are designed to withstand the toughest conditions, keeping your home safe and sound.

Invest in Peace of Mind

Join us in building a **strong and sustainable** future. With Hecho Techo, you're not just getting a roof over your head—you're investing in peace of mind. Discover the perfect blend of technology, craftsmanship, and aesthetics with our stone-coated metal roofing tiles.

UNMATCHED DURABILITY



- Corrosion-resistant steel with stone chips.
- Withstands extreme weather, salty air and earthquakes.
- Interlocking system for maximum strength, durability, and longevity.

ECO-FRIENDLY CHOICE



- Exceptional longevity, reducing the need for frequent replacements and minimizing waste
- Energy-efficient design reduces heat absorption
- Contributes to lower energy consumption and a smaller carbon footprint

OUR ADVANTAGE



QUALITY ADVANTAGE



- ISO-certified tiles with a robust 50-year warranty.
- High quality and durability you can trust.
- Top-tier roofing solutions that stand the test of time.

RESISTANCE TO ELEMENTS



- Our tiles are UV, fire, and storm resistant, offering unparalleled protection for your home or building.
- Our advanced colorization process ensures long-lasting curb appeal, so your roof looks vibrant for years to come.

EAZE OF INSTALLATION



- Premium quality, with surprisingly affordable solutions.
- Ensuring you get the best value for your investment.

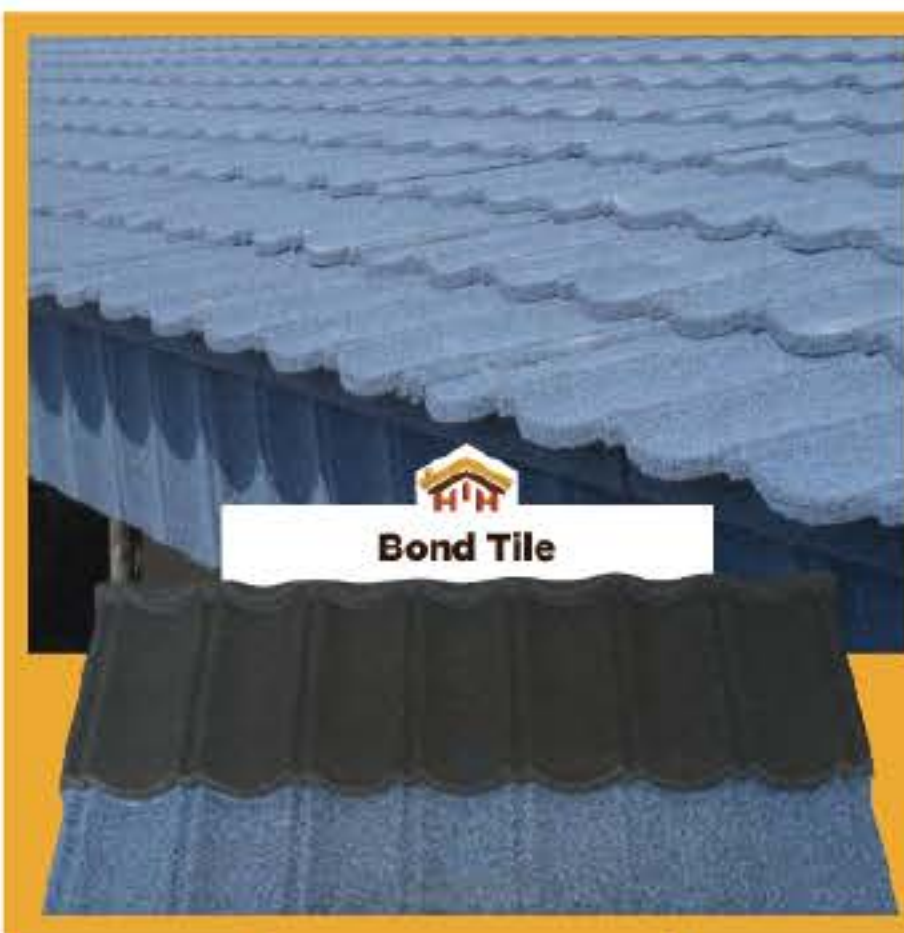
STYLE COLLECTION

Combined Strength and Style

Hecho Techo tiles blend the **strength** of aluminized zinc-plated steel with the **elegance** of stone chips. They offer the curves of Spanish tile without the fragility.



MILANO



BOND



CLASSIC



SHINGLE



SHAKE



ROMAN



HERITAGE



TUDOR



GOLAN

Weatherproof



Corrosion Resistant



ELITE



EASY TO INSTALL



100% FIRE RETARDANT



LONG LIFESPAN



VARIETY OF STYLES

COLOR COLLECTION

Timeless and Trendy Colors

Coming in a range of gorgeous colors, these tiles honor traditional hues while offering modern shades to match current trends. These options not only enhance the beauty of your property but also increase its value, providing you with customized solutions that perfectly suit your style.



BRICK



RED



TERRACOTTA



BLACK RED



DESERT TAN



COFFEE BROWN



BURGANDY



BLACK



HIGH SAH



PEPPER



CHARCOAL



BLACK & WHITE



SKY BLUE



ARCTIC BLUE



DARK GREEN



FOREST GREEN

INSTALLATION GUIDE



DOWNLOAD
INSTALLATION
INSTRUCTIONS

Easy and Efficient Installation

Installing a new roof can be daunting, but stone-coated metal roof tiles make it lightweight, mess-free, and easy. Designed for simplicity, they offer a beautiful, durable roof without the hassle of traditional materials. Say goodbye to messy installations and hello to a sleek, straightforward solution!

QUICK INSTALLATION STEPS

STEP 1

INSTALL BATTENS TO
ACCOMMODATE
HEIGHT OF TILES



STEP 2

OVERLAP TILES
HORIZONTALLY



STEP 3

FIT SUBSEQUENT
ROWS UNDERNEATH



STEP 4

SECURE WITH SCREWS
ON VERTICLE EDGE



STEP 5

COMPLETE THE
INSTALLATION WITH
ACCESSORIES FOR A
STUNNING NEW
ROOF



CROWNING YOUR DREAM HOME WITH
**PREMIUM STONE-COATED
METAL ROOF TILES**



ROOF ACCESSORIES

Easy-to-Install Accessories

Introducing our premium accessories, designed for unmatched customization and ease of installation. Large yet lightweight, they are easy to handle and fit perfectly with timber trusses, steel frameworks, and concrete roofs. Flexible and versatile, they can be bent and cut to suit various styles, ensuring safe construction on roofs with gradients from 12 to 90 degrees. Ideal for flat slope changes and roof renovations, they seamlessly replace clay tiles, cement tiles, color plates, asphalt shingles, and slating.



ROOF ACCESSORIES



ANGLE RIDGE

CIRCULAR RIDGE

VALLEY TRAY



**CORROSION RESISTANT
FOR OCEANFRONT HOMES**



**DURABLE AND
WEATHER-RESISTANT
FOR ALL CLIMATES**



**UV RESISTANT
PERMANENT BEAUTY**



**LIGHTWEIGHT
EASY INSTALLATION**

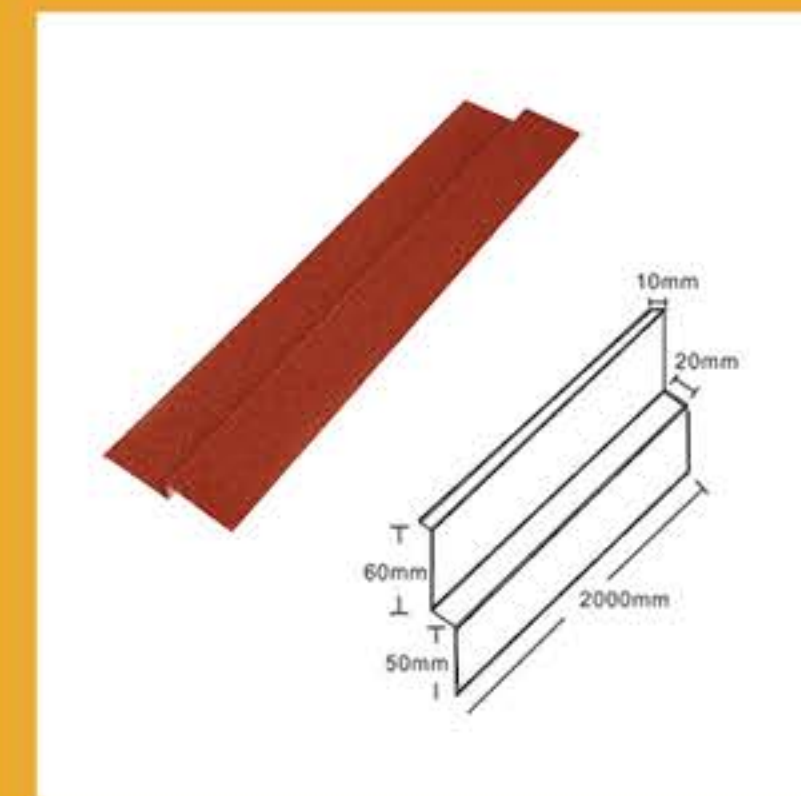
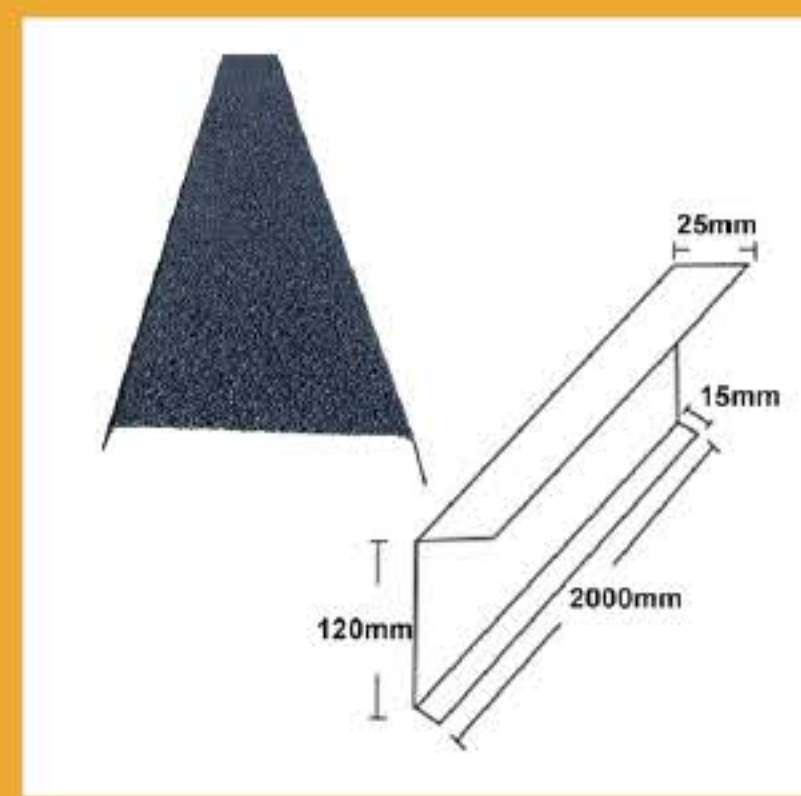
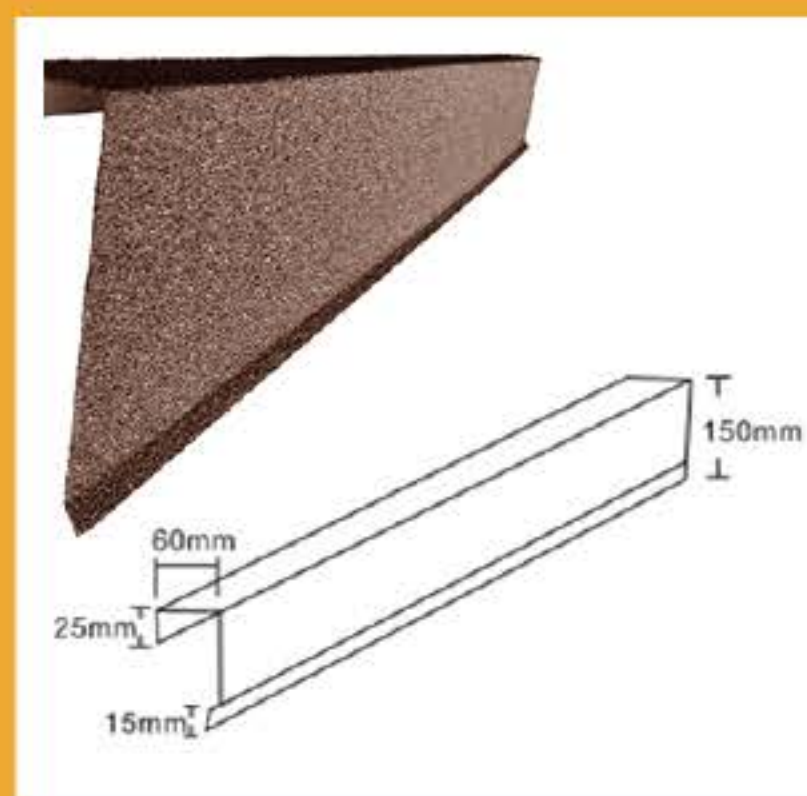


**FIRE RESISTANT
EARTHQUAKE RESISTANT**



**50 YEARS
LTD WARRANTY**

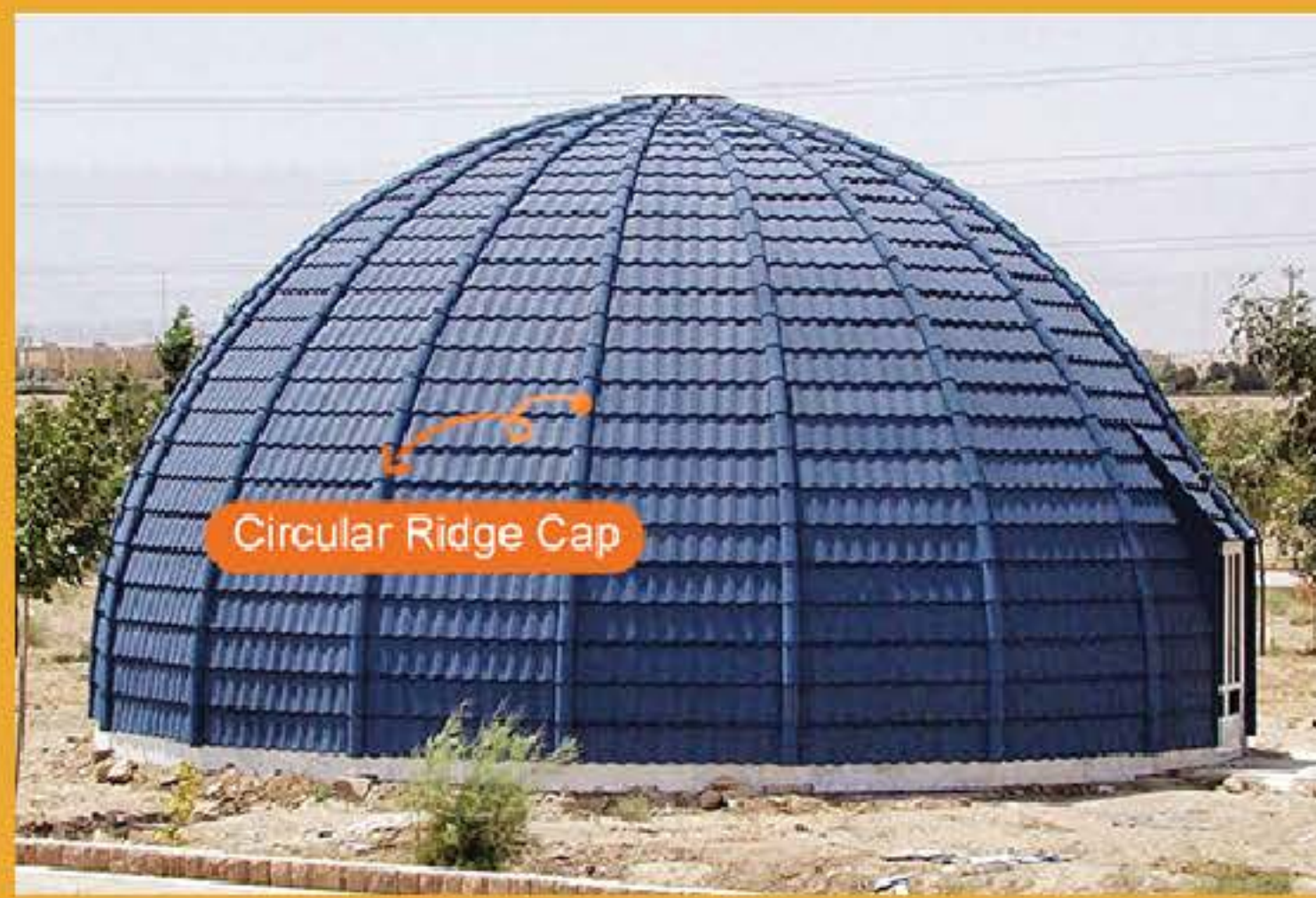
ROOF ACCESSORIES



BARGE BOARD

EAVE FLASHINGS

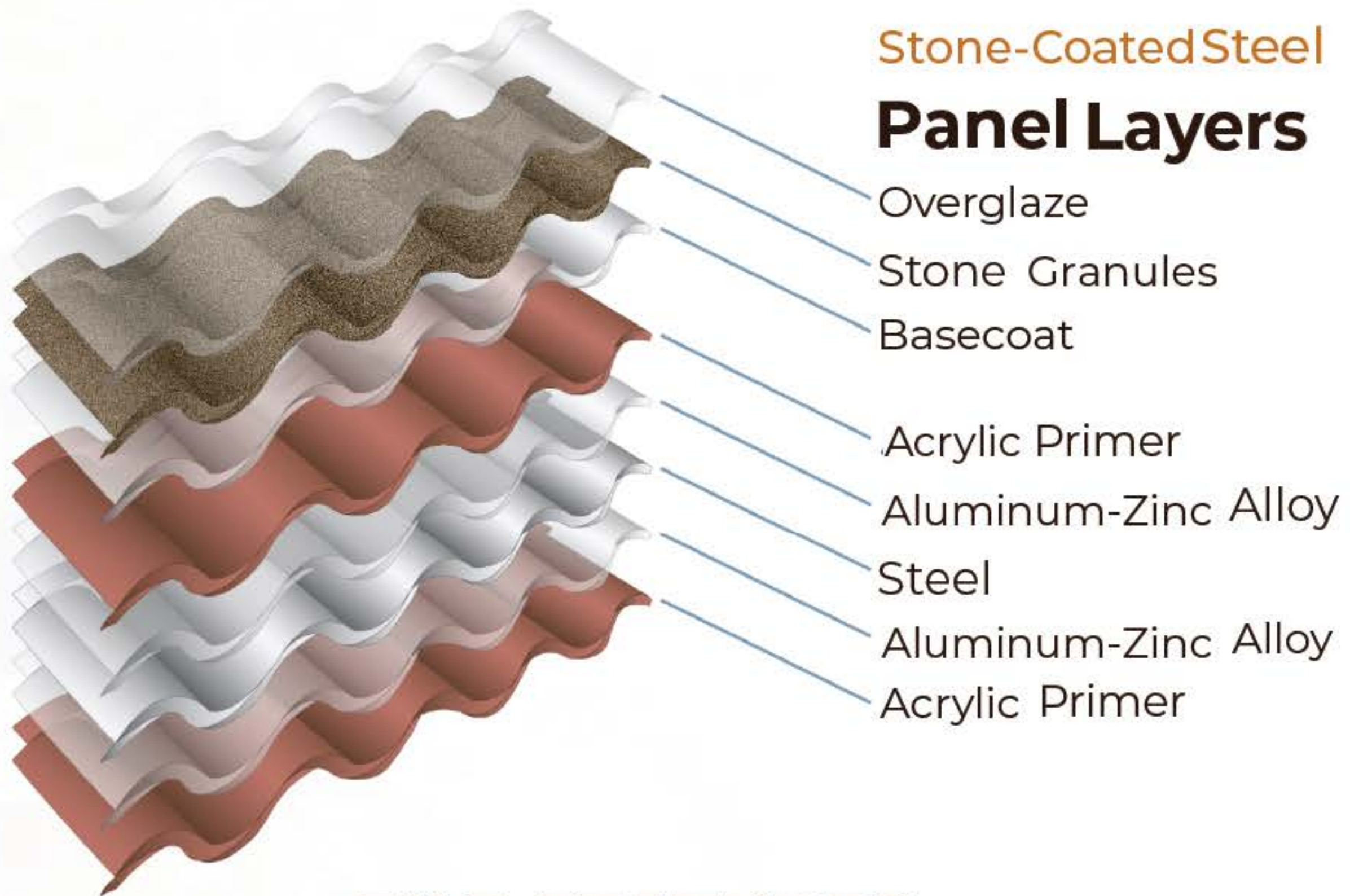
WALL FLASHINGS



TECHNOLOGY

STYLE & DURABILITY

Combining the perfect blend of practical hands-on experience backed by 60+ years of research, HECHO TECHO TILES offer the ultimate in style, performance and engineering design. You'll be the absolute envy of your neighborhood.



TILE FEATURES

- **Lightweight** –
 - Only 160 lbs. / 100 sq. ft. installed
 - or less than 8 kg / sq. m installed
- **Non-Combustible Class A Rated Material**
- **Won't Crack, Break, Burn, Curl, Split or Rot**
- **Walkable, Low Maintenance, Long Life**
- **Corrosion Resistant**
- **Interlocking Panels Provide Protection against the Elements**



WHAT CUSTOMERS ARE SAYING



DOUG S.



"I just want to say that the quality of the material and the customer service is second to none."

Bond Tile



SAM G.



"Pictures of my roof - I want to let you know I really like your product everything came on time it was easy to install and it will last a lifetime"

Classic Tile

FREQUENTLY ASKED QUESTIONS

Will this metal roof retain heat during summer?

No, stone coated metal roofs are energy efficient when compared to an asphalt shingle roof. Our roof system can save up to 25% in energy cost during the summer months.

How long has Stone Coated metal been around?

Companies have been manufacturing stone coated metal roofing since the 1970s.

Does a Stone Coated metal roof add a lot of weight?

No, in fact it is lighter than most roofs. A 25 Year asphalt shingle roof weighs 3 pounds/ square foot. A stone coated metal roof weighs 1.4 pounds/ square foot, less than half the weight of a shingle roof.

Are these tiles safe during an earthquake?

When comparing stone coated metal roofs to clay tile roofs and other heavy roofs, the stone coated metal roofs are much safer during an earthquake due to the light weight material.

Can you walk on a stone-coated steel roof?

Yes. Make sure you wear soft-soled shoes to avoid accidentally damaging the shingles. Above all, make sure you exercise safety precautions. Don't try to walk on your roof when it's wet.

Can you put solar panels on a stone-coated steel roof?

Yes! It is pretty easy to install solar panels on stone-coated steel roofs. These metal roofs are already energy efficient, but adding solar panels increases this efficiency.

Do stone-coated metal roofs increase home value?

Yes! A stone-coated metal roof will increase your home's value in at least three ways. They are durable, aesthetically pleasing and deflect UV rays and lower cooling costs.

How long does a stone coated steel roof last?

A stone coated steel roof usually lasts for 50 years. It's not unusual for a well-maintained installation to exceed that threshold.

Does my old roof need to be removed before installation?

If the roof deck, rafters, and load-bearing assets are in good condition, removal may not be required.

CONTACT US



CROWNING YOUR DREAM HOME WITH
**PREMIUM STONE-COATED
METAL ROOF TILES**



(661) 527 8772



info@hechotecho.com



www.hechotecho.com



facebook.com/HechoTecho/



**Blvd. Popotla,
Km 29 Crt TJ a Ensenada
Rosarito**



Get in Touch

Whether you're looking to enhance your home's curb appeal, need a durable roofing solution, or have questions about our products, we're here to help.



661 527 8772

Get your
FREE quotation
today



Calle 2020



**Ferreteria
El Rodeo**

Gaviotas



**Ferreteria
La Gloria**

**Valle de
Guadalupe**



**59K Ferreteria
Valle**

Rosarito



**Rosarito
Showroom**

By choosing Hecho Techo, you're not just getting a roof over your head—you're investing in peace of mind. Discover the perfect blend of technology, craftsmanship, and aesthetics with our stone-coated metal roofing tiles.